

Riverflow[®] Pump by Current Systems Inc.

Performance • Reliability • Innovative Propeller Pump Technology

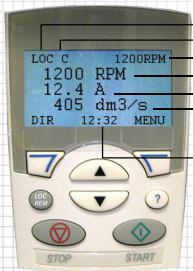
Designed Specifically for Lazy Rivers and High Capacity Water Features



Features

- Electronic Variable Speed Control
- Ultra High Flow Rate
- Low Operating Cost
- Programmable Timer
- Real Time Data Logs
- 1Ø, 3Ø, 50 Hz Compatible
- Low Maintenance
- 5-year Warranty
- Design and Application Support

Programable Display



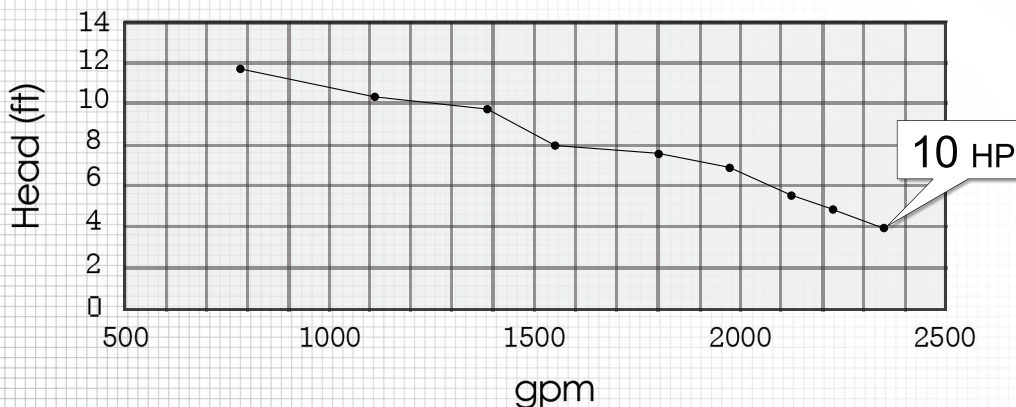
- Local/Remote indication
- Motor rotation indicator
- Speed Reference
- Actual value 3, Process value (selectable)
- Actual value 2, Output current (selectable)
- Actual value 1, Actual motor speed (selectable)
- Real time clock

Lazy River Application Data

*F/S	MPH	GPM	KW
10.7	7.0	2500	5.9
8.21	5.6	2000	4.1
6.16	4.2	1500	2.5
5.13	3.5	1250	2.1
4.11	2.8	1000	1.8

*Velocity at Discharge

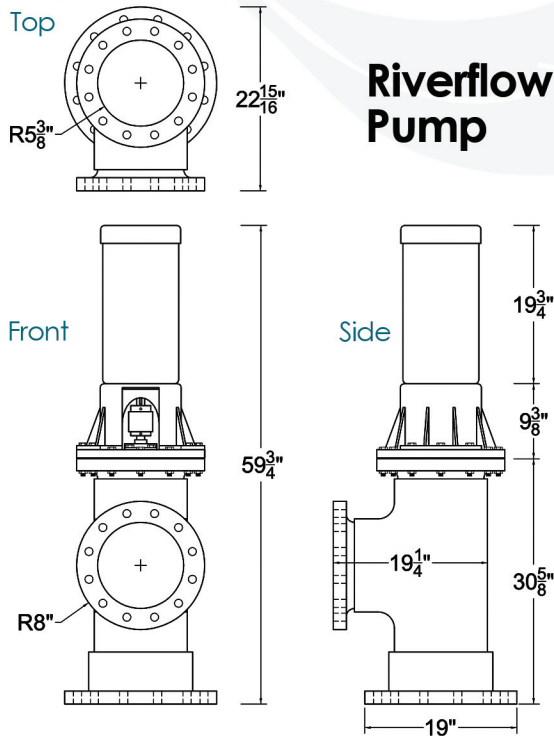
Riverflow Pump Performance Curve



Riverflow[®] Pump by Current Systems Inc.



- Variable flow rate
- Security code lockout
- Programmable timer



* Van Stone Flanges Optional

Commercial Pump | Product Information

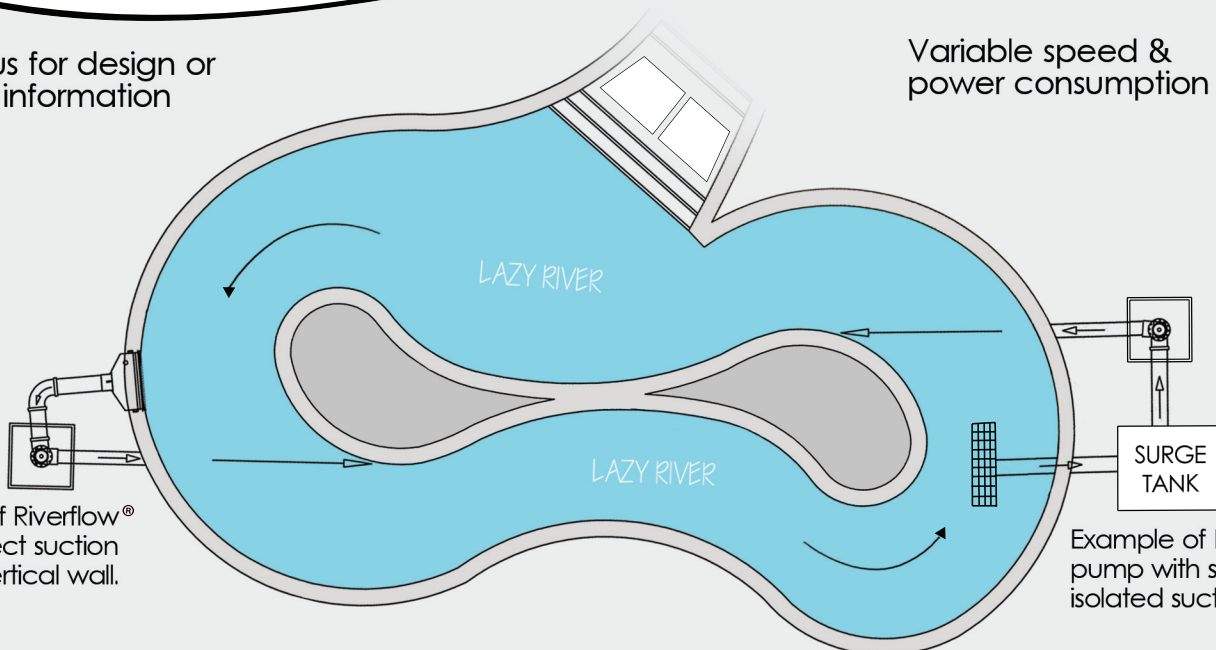
RIVERFLOW MODEL CF104	
HP*	10 (Actual)
230 VAC 3Ø	26 AMPS
460 VAC 3Ø	13 AMPS
SUCTION	12" FLANGED
DISCHARGE	10" FLANGED
VFD	NEMA 1 or 12

* Motor size 10 HP

Contact us for design or technical information

Variable speed & power consumption

Example of Riverflow[®] NSF-50 direct suction on a vertical wall.



Example of Riverflow[®] pump with surge tank isolated suction.

